

B120

BestPack™ Stretch Wrapper

Semi-automatic pallet wrapping machine

The BestPack™ B120 Low Profile Semi-Automatic “B Series” Stretch Wrapper is our most economical model available.

It replaces hand wrapping and eliminates the dizzying effects of hand wrapping. Clutch tension stretch provides consistent wraps. The B120 is user friendly and features Easy Film Feed without film threading for easy operation.

CBM Systems BestPack™ Stretch Wrapper



See what the B120 can do for you!

1. Increase film utilization up to 20% for instant cost savings.
2. Shorten wrapping cycle time to as little as 1½ to 2 minutes.¹
3. Upgrade from hand-wrap to machine film to get all the benefits!



Plug and play—Start wrapping right away

Affix film to your pallet—then press start. In many cases, operators won't even need to adjust wrap settings between loads.



Improve load integrity and reduce shipping damage

Consistent performance and excellent load stability during transport keeps your load tightly secured more effectively than hand-wrapping.



Lower overall cost per load

Get the job done faster and waste less stretch wrap when switching to a BestPack™ stretch wrapper.

Contact us for more information

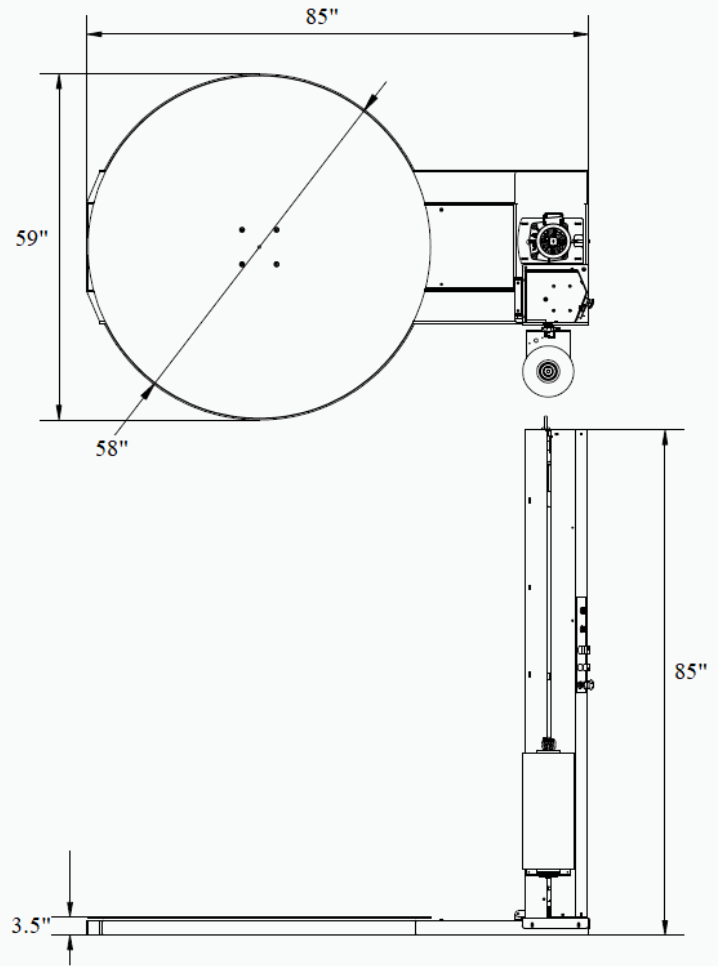
+1 (909) 670-8888 | sales@cbmsystem.com | www.cbmsystem.com

© 2024 CBM Systems, Inc. and BestPack Packaging Systems. All rights reserved. 240105

B120 Specifications

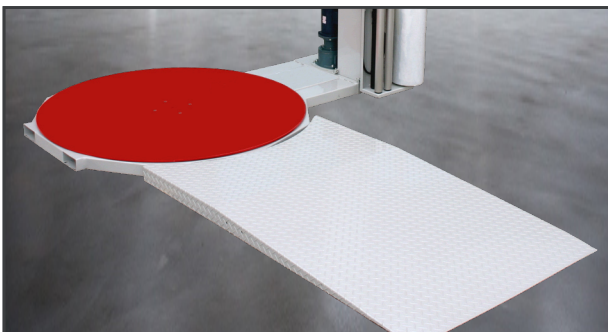
Performance	
Speed*	25-35 loads/hour
Turntable Speed	12 RPM (variable)
Load Capacity	4,000 lbs
Turntable Size	58" diam
Max. Load Size	53" L x 53" W
Max. Load Height	82" H
Turntable	3/8" laser-cut steel plate
Film Delivery	
Film Delivery System	Clutch tension
Film Stretch	Standalone Roller
Film Tension	Up to 120%
Film Capacity	10" diam x 20"W (30"W option)
Film Carriage Speed	Single
Height Sensor	Standard
Machine / Shipping Data	
Power Requirements	110V, 60 Hz, 8A
Pneumatic Requirements	None
Machine Dimensions	85" L x 59" W x 86" H
Weight (approximate)	750 lbs
Forklift Portable	Standard
Tilt-Down Tower	Standard

Machine Footprint



**Make wrapping as easy as 1...
2... 3...!**

Options to improve performance



Loading Ramp

Load your machine with a pallet jack using the made-to-fit loading ramp.

Set down your pallet, hit start, and get wrapping!

- Detect your pallet load's height automatically.
- Reinforce the top and bottom of your load.
- Pre-stretch film up to 120%.
- Low maintenance...heavy-duty frame and roller support system.

Specifications subject to change without notice.
* Wrap speeds may vary depending on load configuration.



CBM Systems, Inc.
1599 Monte Vista Avenue
Claremont, CA 91711